

# MODEL AL-1400-HF-A HIGH FREQUENCY POWER AMPLIFIER

The model **AL-1400-HF-A** power amplifier is a wide-band, full complimentary class AB linear amplifier. The output impedance is ideally zero ohm because of the negative feedback. Our customers use the amplifiers for plasma excitation, induction heating, magnetic field generation and testing products such as Helmholtz coils, piezo elements, inductors, capacitors and so on. Our power ratings are for continuous duty at full power with +0.7 to -0.7 power factor.

## Model AL-1400-HF-A Power Amplifier Specifications

### Output:

Output Power: 1400 watts  
Output Volts: 0-28V rms. adjustable (Optional external output transformers to other volts are available at additional charge.)  
Frequency Ranges: 20Hz to 800KHz  
Maximum Output Current: 50A rms.  
Output Distortion: 0.5% THD @ midband, 2% @ 200KHz  
Hum and Noise: -60dB below full output  
Output Impedance: Zero ohm (50 ohm matching at request)  
Output Volt Meter: 2% front panel analog Meter  
Short Circuit Protection: Input line circuit breaker; Output circuit breaker  
Thermal Protection: Auto-reset thermostat prevents heat damage  
Power Factor Range: +0.7 to -0.7 for full power; to zero @ reduced power

### Input Signal:

Input Signal Requirement: 0-2V rms.  
Input Impedance: 5K ohm  
Input Waveform: Sine Wave  
(Square and triangle waveforms will work at less bandwidth.)

### Input Power:

Power Efficiency: 45%  
Input Power Requirement: 120V AC 60Hz (Default) or 230V AC, 60Hz  
Input Line Ampere Requirement: 26A @ 120V AC or 13A @ 230V AC

### Other Specifications:

Dimensions: 7"H X 19"W X 23"D  
Weight: 105 lbs  
Cooling Method: Internal fans (Intake-front; Output-rear)  
Operating Temp Range: -20 to 140 deg F  
Storage Temp Range: -40 to 170 deg F

### Options:

#### 1. DC Coupling

Normally our power amplifiers are AC coupled and usually supplied by us with output transformers to provide the voltage ranges specified by the customer. However, if specified the power amplifier amplifiers can be DC coupled. As a result, the frequency response of the power amplifiers will be DC to 800KHz at 0-28V rms.

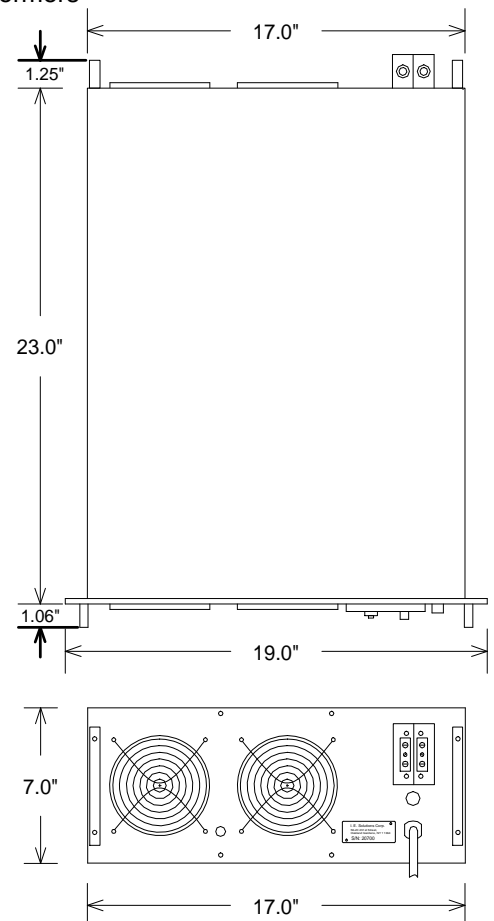
#### 2. Output Transformers

Our output transformers can go up to 10KV rms. or 800A, depending on desired frequency range. Consult factory for information on our standard or custom output transformers.

#### 3. Constant Current Mode

A Constant Current Controller can be supplied to go with the power amplifiers to achieve constant current mode operation in the whole frequency range specified.

## DIMENSION DRAWING



## **Amp-Line Corp.**

56-20 231<sup>st</sup> Street  
Oakland Gardens, NY 11364  
Tel: (718) 224-6272 Fax: (718) 224-1170

E-mail: [sales@amp-line.com](mailto:sales@amp-line.com)  
Web site: [www.amp-line.com](http://www.amp-line.com)